



LoneStar Fiberglass Pools

15655 East US Hwy 90
Kingsbury, Texas 78638

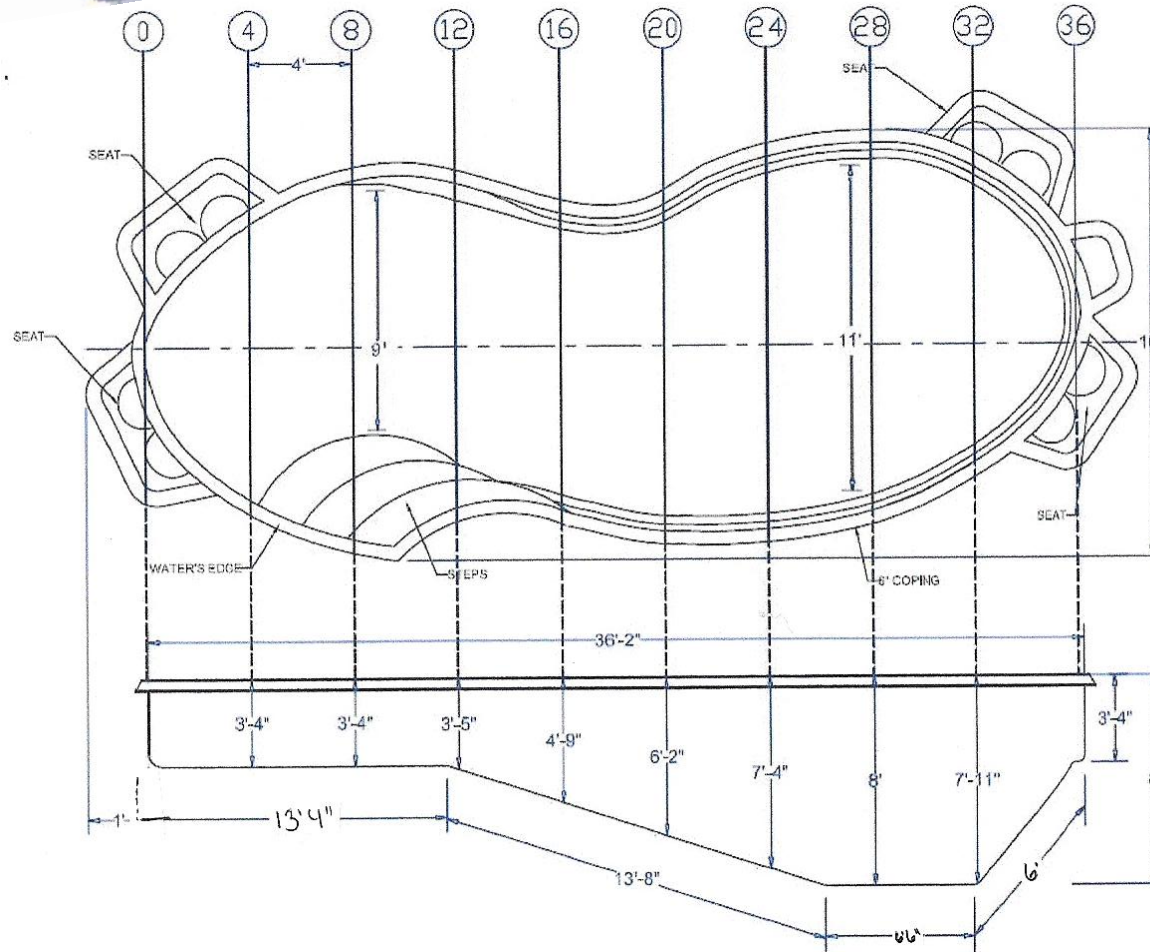
866-471-6900

830-875-6900

WWW.LONESTARFIBERGLASSPOOLS.COM

Approx. Gallons of
Water: 17,000

Approx. Weight:
3,900 lbs.



It is important to have your excavator call to review the Dig Diagram prior to excavation. All dimensions are Approximate. A 3" over dig must be added to the bottom for the stone, along with a 2' by 3' trench from the pool hole to the area of the equipment placement for plumbing and wiring.

THE TULSA MODEL – 16' X 37-8"

LONESTAR FIBERGLASS POOLS